

A

B

C

D

A

B

C

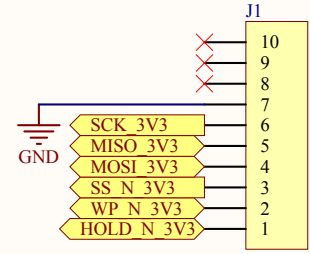
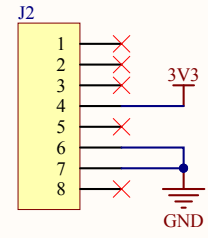
D

1

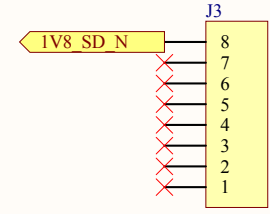
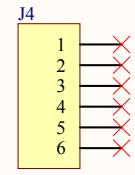
2

3

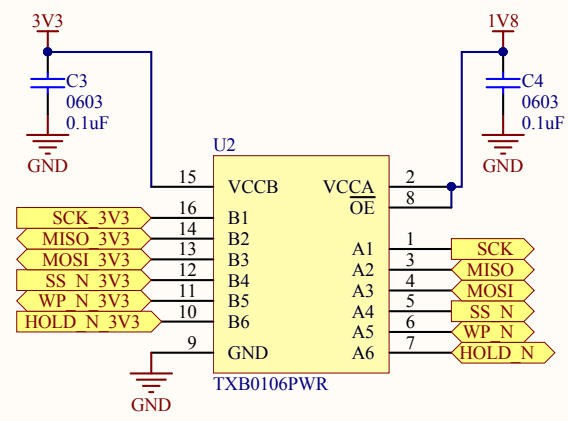
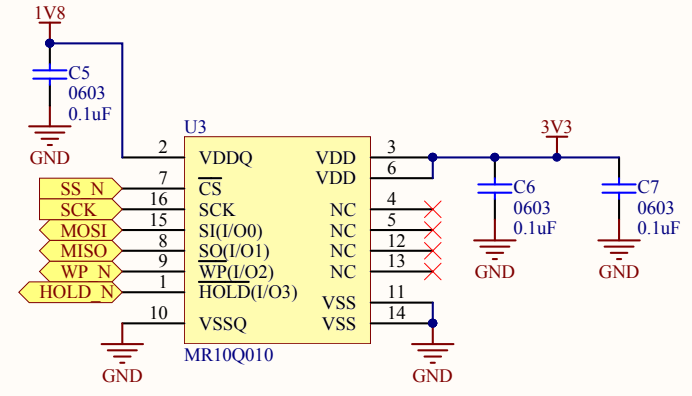
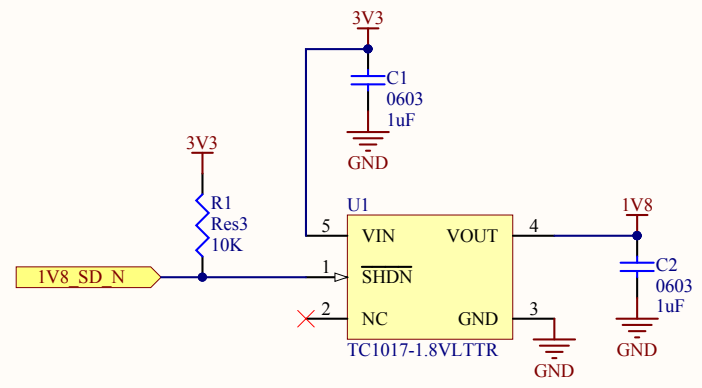
4



Arduino pin names
 D13
 D12
 D11
 D10
 D9
 D8



D7



Title MR10Q010-EVAL		
Size: A	Number:ES1MBEV	Revision:01
Date: 2/13/2015	Time: 2:44:42 PM	Sheet 1 of 1
File: MR10Q010-EVAL Sheet1.SchDoc		



1

2

3

4